



US00D935466S

(12) **United States Design Patent**
Hermann

(10) **Patent No.:** **US D935,466 S**

(45) **Date of Patent:** **** Nov. 9, 2021**

(54) **ELECTRONICS ENCLOSURE**

(71) Applicant: **Richard Hermann**, Carlstadt, NJ (US)

(72) Inventor: **Richard Hermann**, Carlstadt, NJ (US)

(**) Term: **15 Years**

(21) Appl. No.: **29/686,989**

(22) Filed: **Apr. 9, 2019**

(51) **LOC (13) Cl.** **14-02**

(52) **U.S. Cl.**

USPC **D14/439**; D14/432

(58) **Field of Classification Search**

USPC D14/316-319, 432-439, 442, 451-454,
D14/496, 495, 391, 385, 367, 356;
D8/331, 330; D18/50, 4.6, 4.5; 439/630,
439/635, 639, 160; 360/2; 235/492, 486,
235/479, 380

CPC G06F 1/206; G06F 1/3206; G06F 1/3287
See application file for complete search history.

(56) **References Cited**

U.S. PATENT DOCUMENTS

D376,146 S	*	12/1996	Totsch	D14/155
D402,275 S	*	12/1998	Korhonen	D13/184
D405,987 S	*	2/1999	Kuehn	D6/675
D497,878 S	*	11/2004	Koo	D13/152
D590,402 S	*	4/2009	Lindner	D14/349
D609,701 S	*	2/2010	Hou	D14/240

D627,357 S	*	11/2010	Searby	D14/439
D732,041 S	*	6/2015	Conn	D14/439
D777,126 S	*	1/2017	Odryna	D14/125
D815,054 S	*	4/2018	Odryna	D14/125
D815,642 S	*	4/2018	Wilcox	D14/441
D824,333 S	*	7/2018	Wilcox	D13/133
D883,242 S	*	5/2020	Wu	D14/125

* cited by examiner

Primary Examiner — Austin Murphy

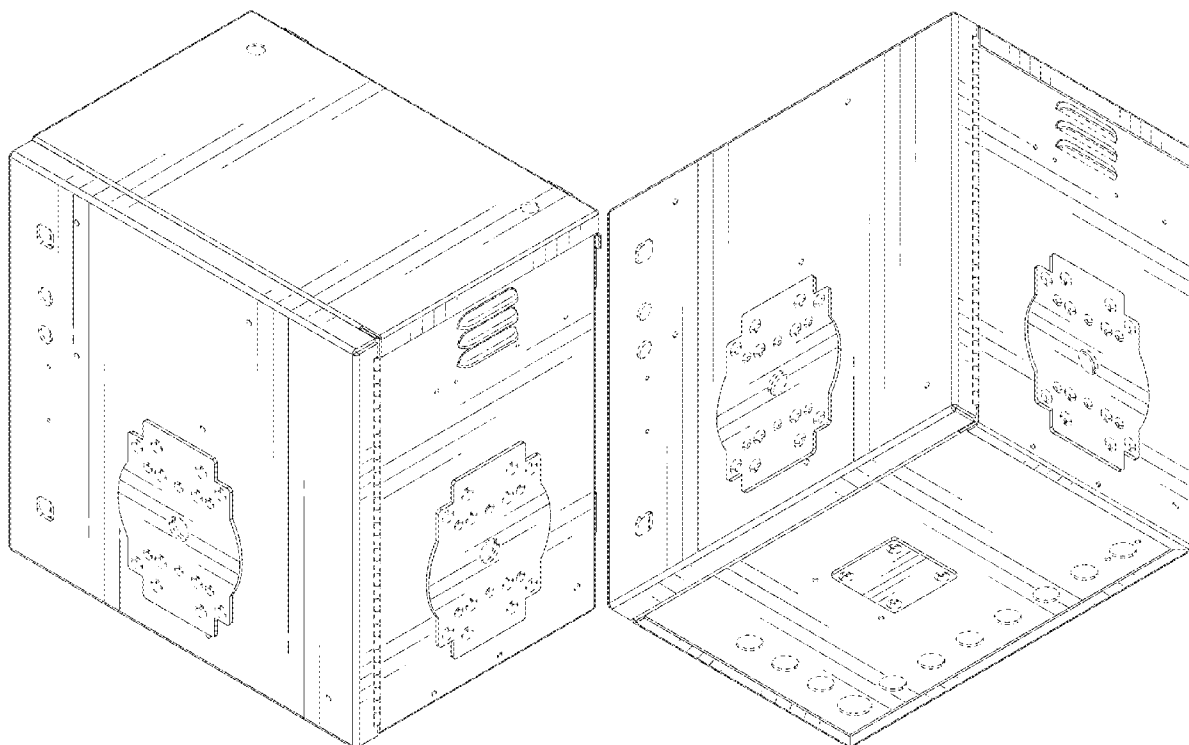
(57) **CLAIM**

The ornamental design for an electronics enclosure, as shown and described.

DESCRIPTION

FIG. 1 is a front-top perspective view of an electronics enclosure showing my new design; FIG. 2 is a front-bottom perspective view thereof; FIG. 3 is a rear-top perspective view thereof; FIG. 4 is a rear-bottom perspective view thereof; FIG. 5 is a front elevational view thereof; FIG. 6 is a rear elevational view thereof; FIG. 7 is a left elevational view thereof; FIG. 8 is a right elevational view thereof; FIG. 9 is a top plan view thereof; and, FIG. 10 is a bottom plan view thereof.

1 Claim, 10 Drawing Sheets



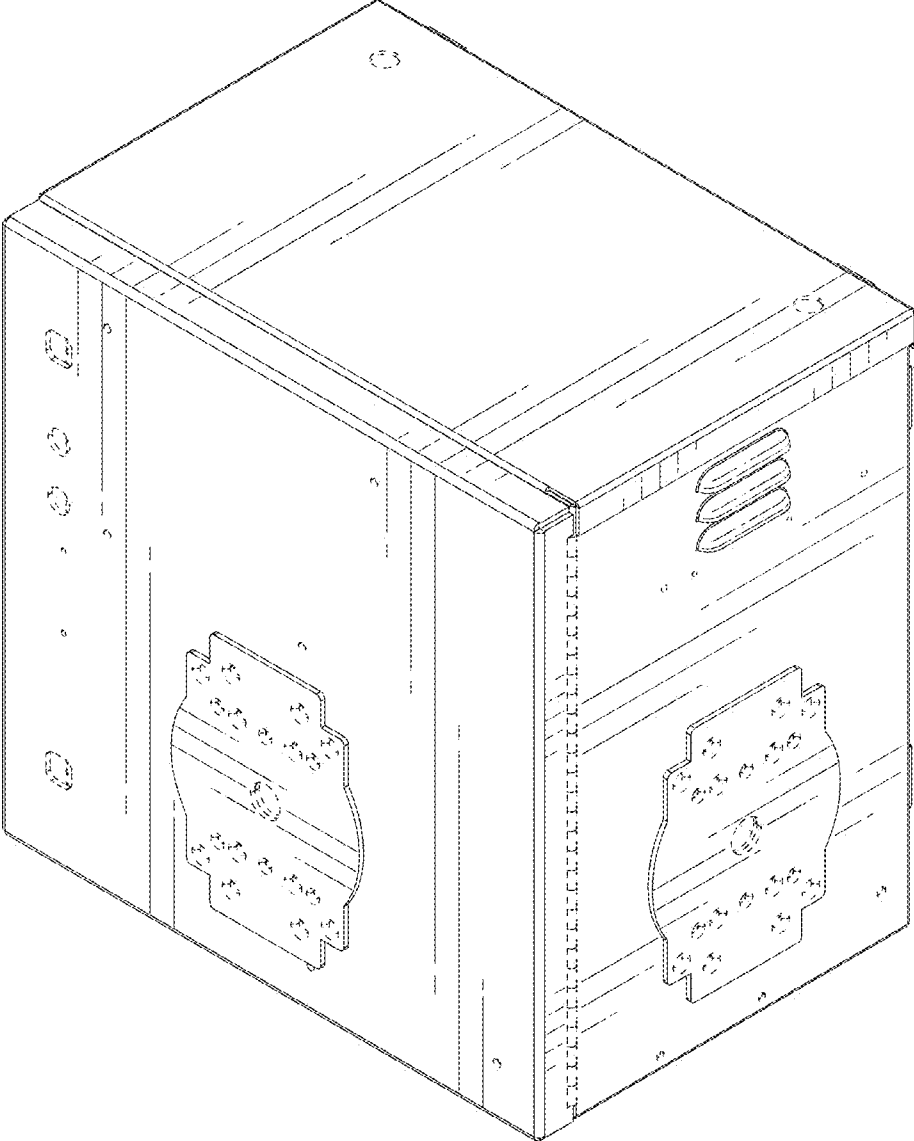


FIG. 1

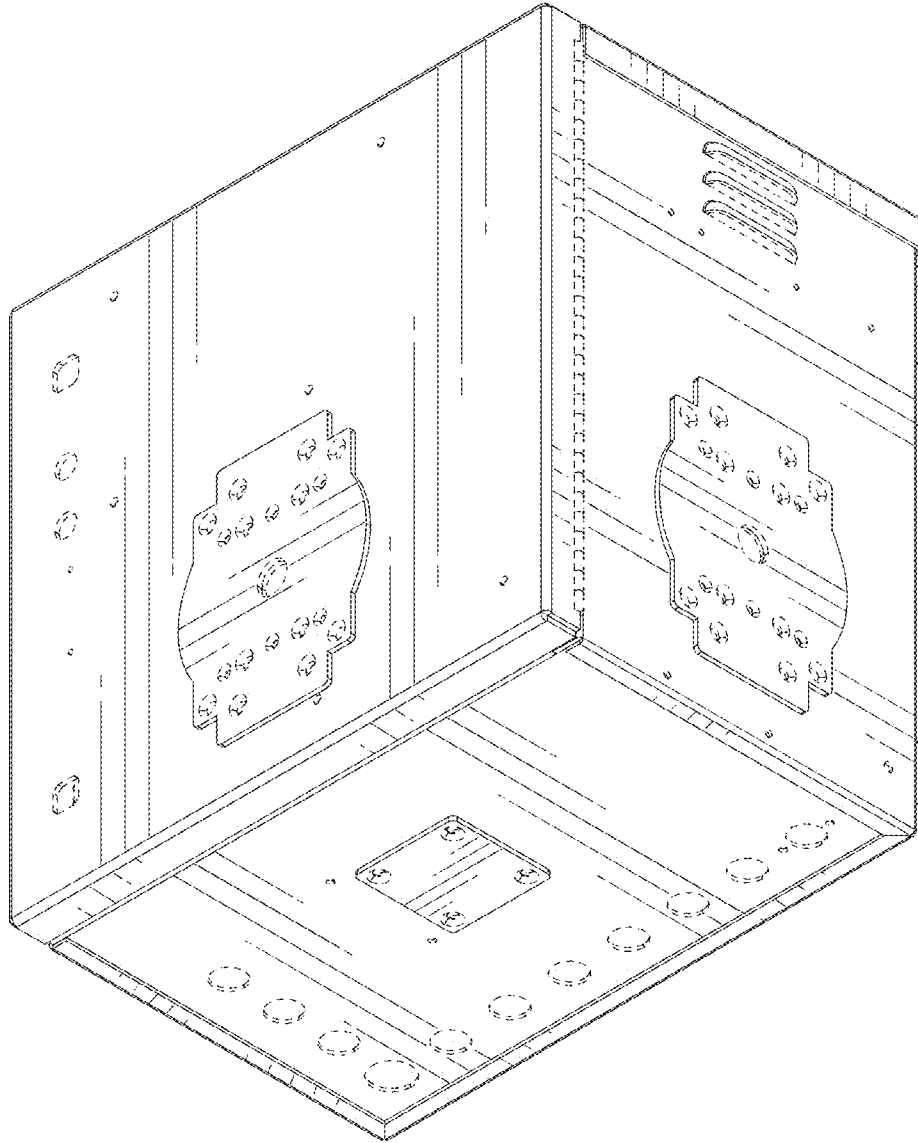


FIG. 2

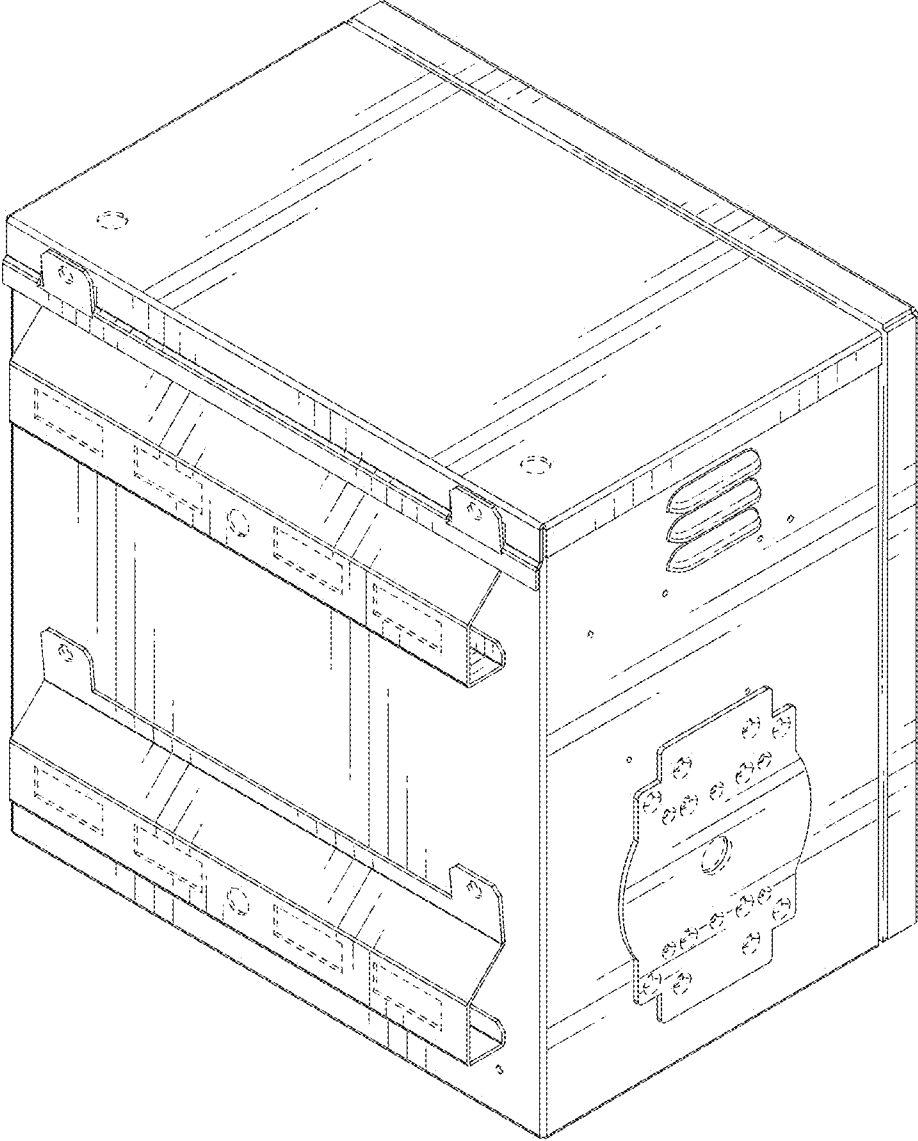


FIG. 3

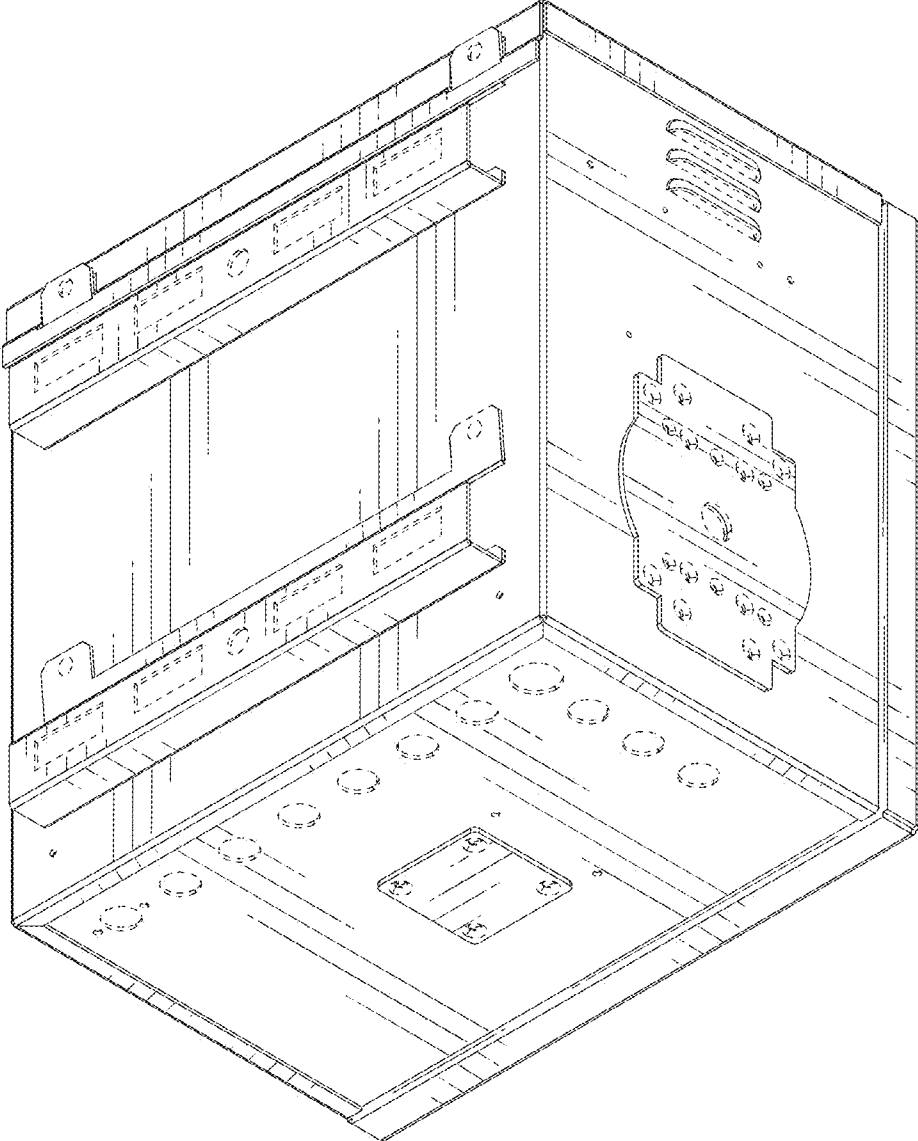


FIG. 4

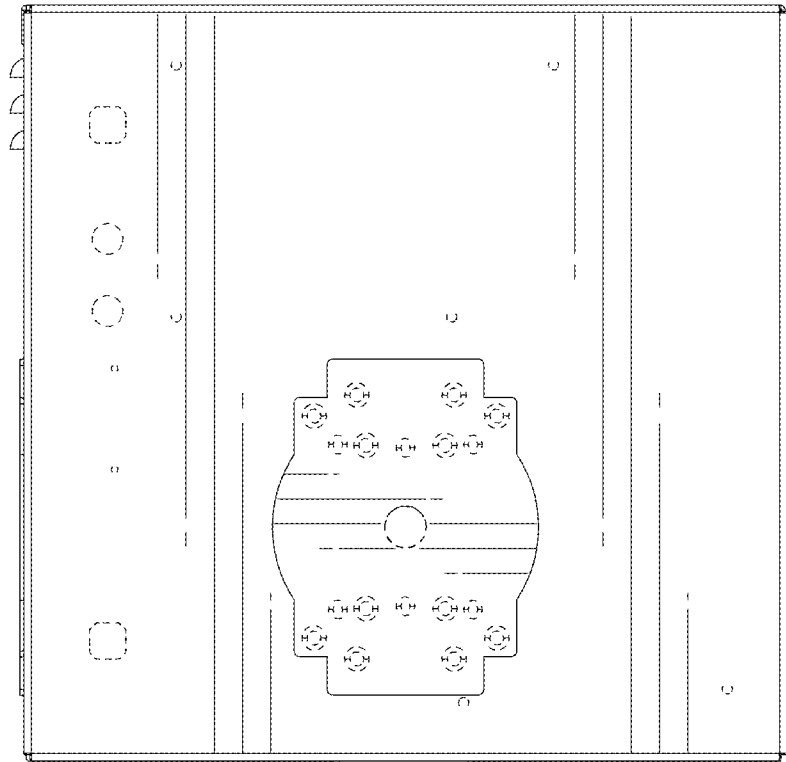


FIG. 5

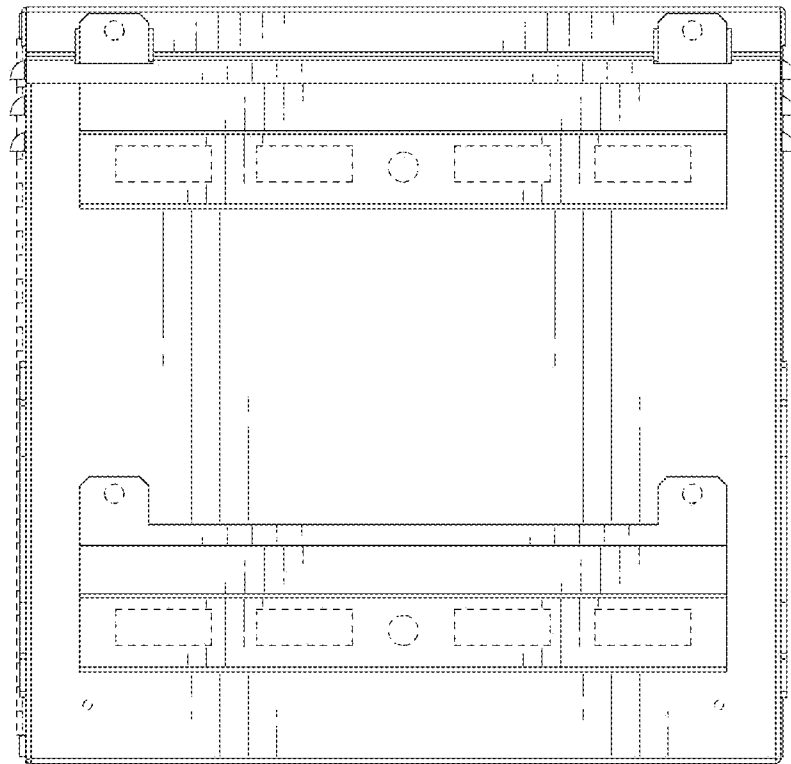


FIG. 6

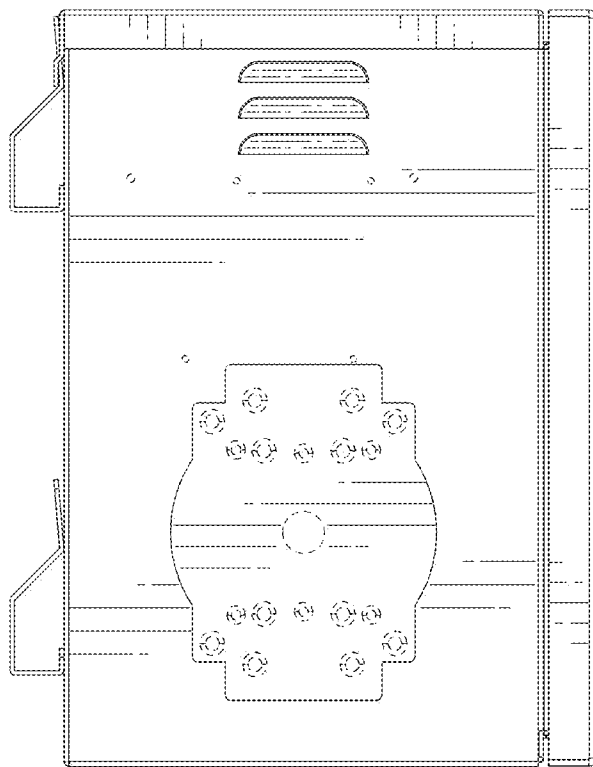


FIG. 7

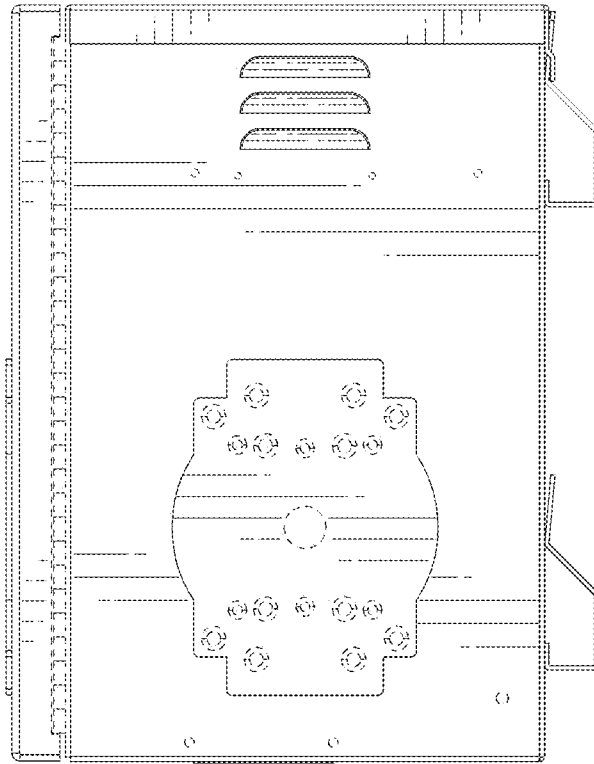


FIG. 8

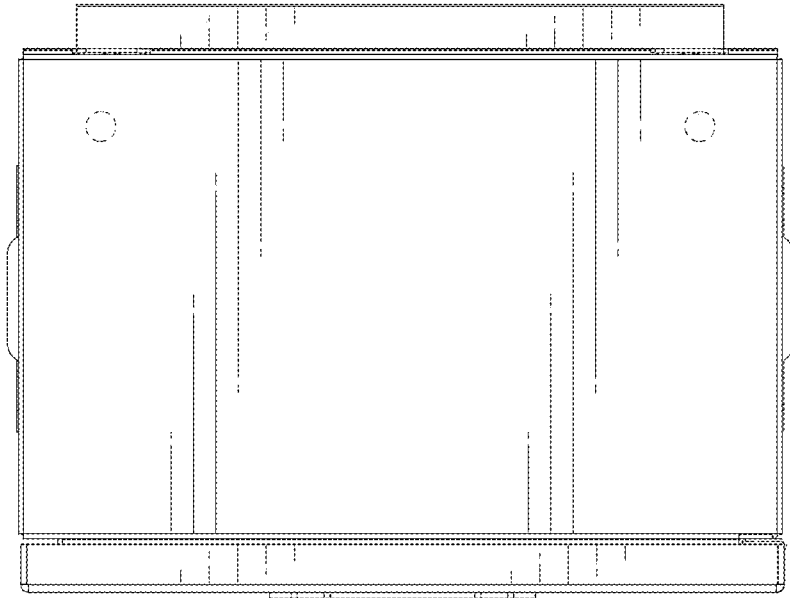


FIG. 9

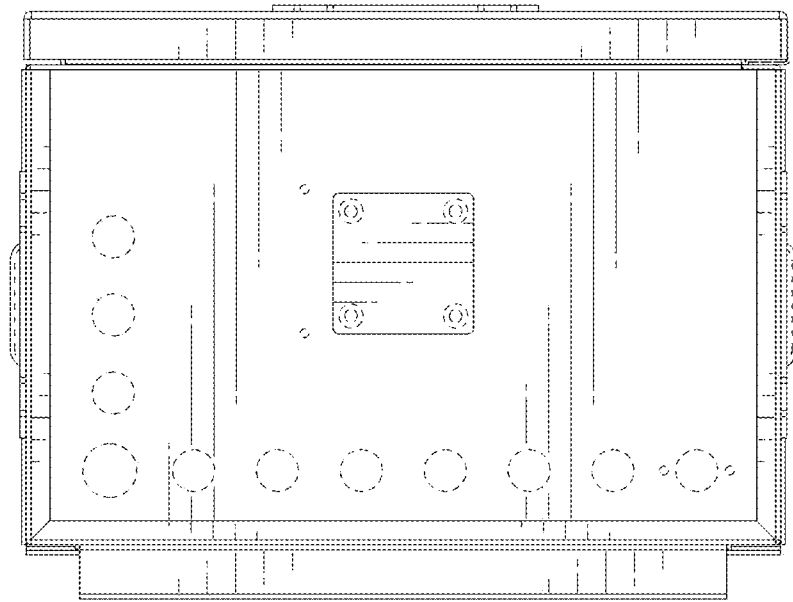


FIG. 10